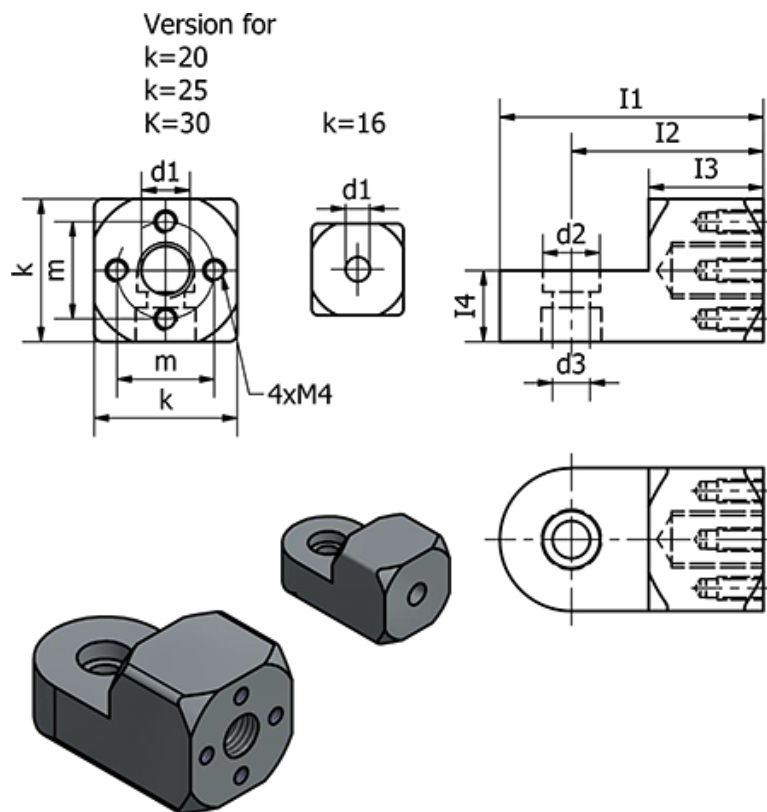


Article number: 20484M1025MT
 Description: E+G T-swivel mounting
 GN 484-M10-25-MT

Measures



Clamping kit for d3 Type K = GN 511.1-M6-25-K

Clamping kit for d3 Type S = GN 511.1-M6-25-S

d1 = M10

d2 = 10

d3 = 6.5

I1 = 46

I2 = 33.5

I3 = 20

I4 = 12.5

k = 25

m = 17

Weight (g) = 46